

TA 46 TAP 50 SAP 50 series

Steel filler plug
and air filter

Polyamide
filler plug

Polyamide
air filter



Technical data

Air breathers & Filler plugs

Steel filler plug and air filter Flow rates up to 200 l/min

TA46 is a range of compact metal air breathers and filler caps for protection of the tank against the solid contamination contained into the air and filling of the fluid into the systems during the commissioning and maintenance procedures. They are directly fitted on the tank. The robust design allows the use of these filters in any heavy-duty application.

Available features:

- Male threaded connections up to 1/4" and flanged connection with bayonet, for a maximum flow rate of 200 l/min
- Fine cellulose filtration, to get a good cleanliness level into the reservoir
- Filling basket, to hold the coarse contamination contained into the fluid and to diffuse the fluid flow into the tank

Common applications:

- Compact hydraulic systems
- Compact mobile machines
- Industrial equipment

Flow rate Δp 0.02 bar

TA46	Flow rate [l/min]	
	Filtration rating 03	10
	150	200

Materials (version G/N)

- Cover: Chrome plated steel
- Filter element: Resin impregnated paper, Polyurethane
- Flange: Galvanized steel
- Connection: Phosphatized steel

Materials (version B)

- Cover: Chrome plated steel
- Filter element: Resin impregnated paper, Polyurethane
- Flange: Galvanized steel
- Connection: Galvanized steel
- Seals: NBR
- Chain: Brass
- Screws: Galvanized steel
- Basket: Galvanized steel

Temperature

From -25 °C to +100 °C

Weight

TA 46 B 0.10 kg
TA 46 G/N 0.11 kg



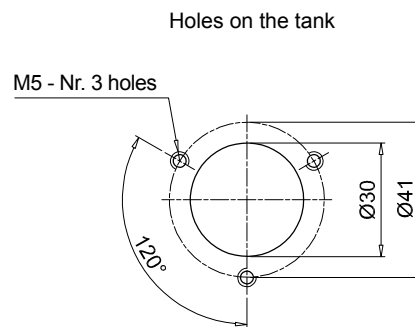
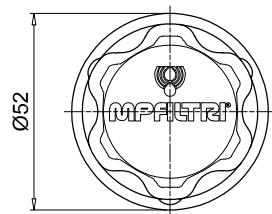
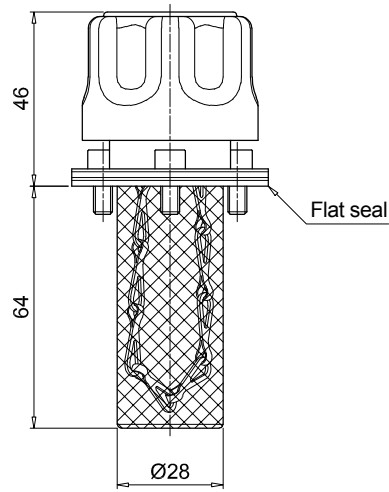
Designation & Ordering code

COMPLETE FILLER PLUG

Serie TA46	Configuration example 1:	TA46	B	03	A	0	0	1	P01
	Configuration example 2:	TA46	G	10					P01
Connections									
B	Screwed flange with bayonet mount								
G	G 1/4"								
N	1/4" NPT								
Filtration rating									
03	Resin impregnated paper	3 μ m							
10	Polyurethane	10 μ m							
Seals									
A	NBR	Connection:	B	G	N				
			•	-	-				
Valve									
0	Without valve	Connection:	B	G	N				
			•	-	-				
Version									
0	Standard	Connection:	B	G	N				
			•	-	-				
Basket									
1	With basket	Connection:	B	G	N				
			•	-	-				
Execution									
	P01	MP Filtri standard							
	Pxx	Customized							

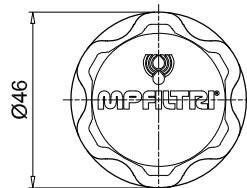
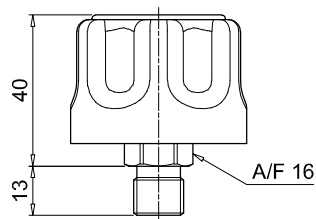
TA46

Screwed flange



TA46

Threaded connection



TAP 50 GENERAL INFORMATION

Technical data

Air breathers & Filler plugs

Filler plug and polyamide air filters Flow rates up to 200 l/min

TAP50 is a range of compact plastic air breathers and filler caps for protection of the tank against the solid contamination contained into the air and filling of the fluid into the systems during the commissioning and maintenance procedures.

Available features:

- Flanged connection with bayonet, for a maximum flow rate of 200 l/min
- Fine cellulose filtration, to get a good cleanliness level into the reservoir
- Filling basket, to hold the coarse contamination contained into the fluid and to diffuse the fluid flow into the tank
- Pressurization valve, to guarantee a positive pressure into the tank

Common applications:

- Compact hydraulic systems
- Compact mobile machines
- Industrial equipment

Flow rate Δp 0.02 bar

TAP50	Flow rate [l/min]	
	Filtration rating 03	10
	180	202

Materials

- Cover/ringnut: Polyamide
- Filter element: Resin impregnated paper, Polyurethane
- Pressurization valve: Polyamide, Galvanized steel, NBR
- Seals: NBR
- Flange: Polyamide
- Screws: Galvanized steel
- Basket: Polyamide

Temperature

From -25 °C to +100 °C

Weight

TAP 50 0.60 kg

Quantity

10 pcs/pack



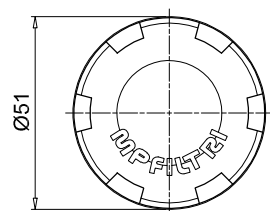
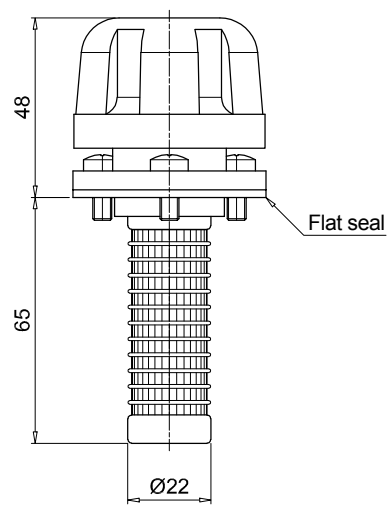
Designation & Ordering code

COMPLETE FILLER PLUG

Serie	Configuration example:	TAP50	C	03	A	1	1	P01
TAP50								
Connections								
C	Screwed flange with G 3/4" mount							
Filtration rating								
03	Resin impregnated paper 3 µm							
10	Polyurethane 10 µm							
Seals								
A	NBR							
Valve								
0	Without valve							
1	0.5 bar pressurization valve							
Basket								
1	With basket							
Execution								
P01	MP Filtri standard							
Pxx	Customized							

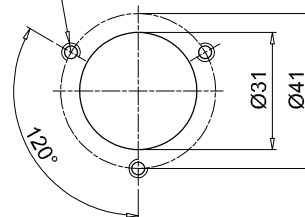
TAP50

Screwed flange



Holes on the tank

M5 - Nr. 3 holes



SAP 50 GENERAL INFORMATION

Technical data

Air breathers & Filler plugs

Air breathers

Flow rates up to 200 l/min

SAP50 is a range of compact plastic air breathers for protection of the tank against the solid contamination contained into the air. They are directly fitted on the tank.

Available features:

- Male threaded connections up to 3/4", for a maximum flow rate of 200 l/min
- Fine cellulose filtration, to get a good cleanliness level into the reservoir
- Pressurization valve, to guarantee a positive pressure into the tank

Common applications:

- Compact hydraulic systems
- Compact mobile machines
- Industrial equipment

Flow rate Δp 0.02 bar

	Flow rate [l/min]	
	Filtration rating 03	10
SAP50	180	204

Materials

- Cover/Connection: Polyamide
- Filter element: Resin impregnated paper, Polyurethane
- Pressurization valve: Polyamide, Galvanized steel, NBR
- Seals: NBR

Temperature

From -25 °C to +100 °C

Weight

SAP 50 0.40 kg

Quantity

10 pcs/pack



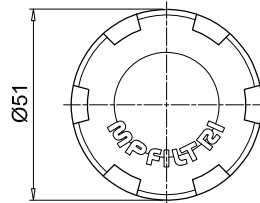
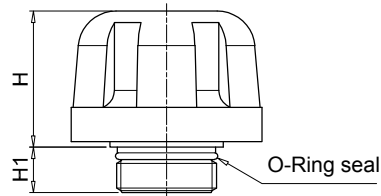
Designation & Ordering code

COMPLETE AIR FILTER

Serie	Configuration example:						
SAP50	SAP50	G3	L03	A	1	0	P01
Connections							
G1	G 1/4"						
G2	G 3/8"						
G3	G 1/2"						
G4	G 3/4"						
G9	SAE 6 - 9/16" - 18 UNF						
G10	SAE 12 - 1 1/16" - 12 UN						
Filtration rating							
L03	Resin impregnated paper	3 µm					
L10	Polyurethane	10 µm					
Seals							
A	NBR						
Valve							
		Connection					
		G1	G2	G3	G4	G9	G10
0	Without valve	•	•	•	•	•	•
1	0.5 bar pressurization valve	-	•	•	•	-	•
Basket							
0	Without basket						
Execution							
P01	MP Filtri standard						
Pxx	Customized						

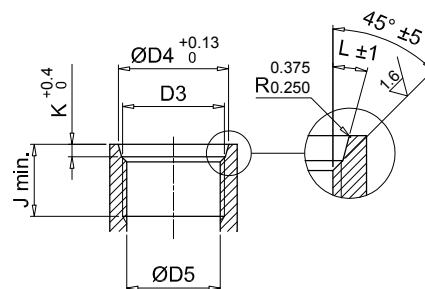
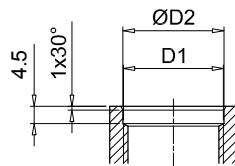
SAP50

Threaded connection



Housing on the tank for connections BPS

Housing on the tank for connections SAE



Connections	H [mm]	H1 [mm]	D1 [mm]	ØD2 [mm]	D3 [mm]	ØD4 [mm]	ØD5 [mm]	J min. [mm]	K [mm]	L
G1	36	12	G 1/4"	13.5	-	-	-	-	-	-
G2	36	12	G 3/8"	17	-	-	-	-	-	-
G3	36	12	G 1/2"	21.5	-	-	-	-	-	-
G4	36	12	G 3/4"	26.7	-	-	-	-	-	-
G9	36	12	-	-	SAE 6 - 9/16" - 18 UNF	15.6	13.081 12.751	12.7	2.5	12°
G10	35	14.5	-	-	SAE 12 - 1 1/16" - 12 UN	29.2	24.978 24.696	19	3.3	15°