

FHD series

Maximum working pressure up to 35 MPa (350 bar) - Flow rate up to 250 l/min



INSTALLATION, SERVICE AND MAINTENANCE MANUAL AND SAFETY INSTRUCTIONS



Please scan or click the QR codes to get updated electronic version of the related document:



FHD021



FHD051



FHD326



FHD333

For all the QR codes: Scan or click me!

Description

Technical data

High Pressure filters

Duplex

Maximum working pressure up to 35 MPa (350 bar)

Flow rate up to 250 l/min

FHD is a range of high pressure duplex filter with integrated changeover function to allow the filter element replacement without the system shut-down.

They are directly connected to the lines of the system through the hydraulic fittings.

Available features:

- Female threaded connections up to 1 1/4" and flanged connections up to 1 1/2", for a maximum flow rate of 345 l/min
- Fine filtration rating, to get a good cleanliness level into the system
- Balancing valve, available for FHD051, FHD326 and FHD333, to equalize the housing pressure before the switch.
- Bypass valve, to relieve excessive pressure drop across the filter media
- Vent ports, to avoid air trapped into the filter going into the system
- Drain ports, to remove the fluid from the housing prior the maintenance work
- Low collapse filter element "N", for use with filters provided with M25 wire mesh
- High collapse filter element "H", for use with filters not provided with bypass valve
- Low collapse filter element with external support "R", for filter element protection against the back pressure caused by the check valve or the reverse flow in filters provided with the bypass valve
- High collapse filter element with external support "S", for filter element protection against the back pressure caused by the check valve or the reverse flow in filters not provided with the bypass valve
- Visual, electrical and electronic differential clogging indicators

Common applications:

- System where shut-down causes high costs
- System where shut-down causes safety issues

Filter housing materials

- Head: Phosphatized cast iron
- Housing: Phosphatized steel
- Bypass valve: Steel

Pressure

- Test pressure: 52.5 MPa (525 bar)
- Burst pressure: 105 MPa (1050 bar)
- Pulse pressure fatigue test: 1 000 000 cycles with pressure from 0 to 35 MPa (350 bar)

Bypass valve

- Opening pressure 600 kPa (6 bar) ±10%
- Other opening pressures on request.

Δp element type

- Microfibre filter elements - series R: 20 bar (not available for FHD 021)
- Microfibre filter elements - series H: 210 bar (only for FHD 021)
- Microfibre filter elements - series S: 210 bar (not available for FHD 021)
- Wire mesh filter elements - series N: 20 bar
- Fluid flow through the filter element from OUT to IN

Seals

- Standard NBR series A
- Optional FPM series V

Temperature

From -25 °C to +110 °C

Connections

In-line Inlet/Outlet 90°

Note

FHD filters are provided for vertical mounting

Weights [kg] and volumes [dm³]

Filter series	Weights [kg]					Volumes [dm ³]						
	Length	1	2	3	4	5	Length	1	2	3	4	5
FHD 021	-	8.0	9.0	9.9	-	-	-	0.06	0.12	0.22	-	-
FHD 051	-	16.9	17.5	18.5	19.8	-	-	0.31	0.41	0.53	0.83	-
FHD 326	43.0	50.0	54.0	-	-	-	0.88	1.60	2.37	-	-	-
FHD 333	-	74.0	79.0	98.0	-	-	-	1.75	2.52	3.35	-	-

Flow rates [l/min]

Filter series	Length	Filter element design - H Series					
		A03	A06	A10	A16	A25	M25
FHD 021	2	6	8	14	16	19	26
	3	10	12	18	20	22	27
	4	13	16	21	22	24	27

Filter series	Length	Filter element design - R Series						N Series	Filter element design - S Series				
		A03	A06	A10	A16	A25	M25		A03	A06	A10	A16	A25
FHD 051	2	39	41	51	54	59	64	35	37	48	51	58	
	3	45	46	54	56	61	65	41	43	52	54	60	
	4	50	52	58	58	62	65	47	49	56	56	61	
	5	56	57	61	62	63	65	53	53	57	59	63	
FHD 326	1	93	99	131	142	154	171	83	87	117	120	146	
	2	136	141	163	166	173	176	119	128	149	151	163	
	3	152	159	171	174	175	177	139	148	161	163	170	
FHD 333	2	175	184	224	230	245	249	147	162	199	201	225	
	3	204	217	241	245	247	252	179	196	221	224	238	
	4	216	224	242	247	253	255	196	204	223	225	239	

Maximum flow rate for a complete pressure filter with a pressure drop $\Delta p = 1.5$ bar.

The reference fluid has a kinematic viscosity of 30 mm²/s (cSt) and a density of 0.86 kg/dm³.

For different pressure drop or fluid viscosity we recommend to use our selection software available on www.mpfiltri.com.

You can also calculate the right size using the formulas present on the FILTER SIZING paragraph at the beginning of the full catalogue or at the beginning of the filter family brochure.

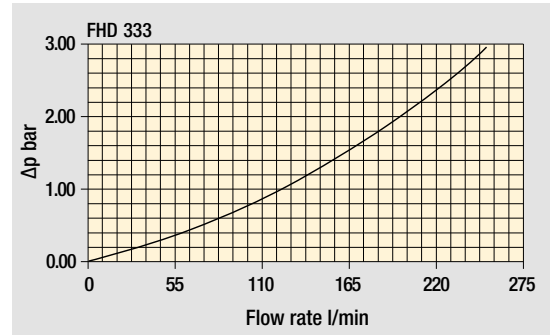
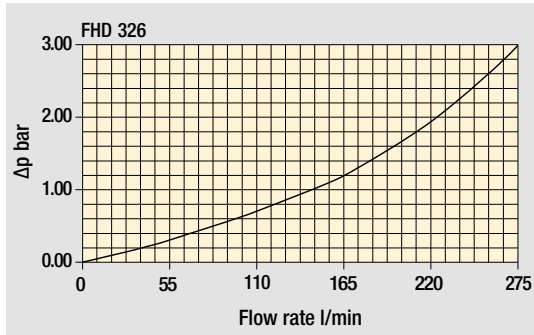
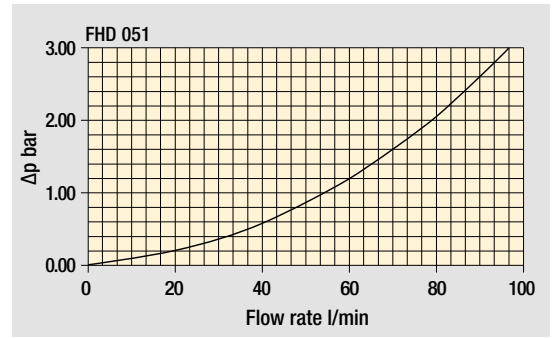
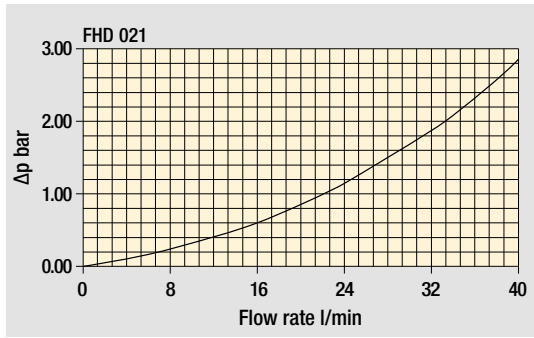
Please, contact our Sales Department for further additional information.

Hydraulic symbols

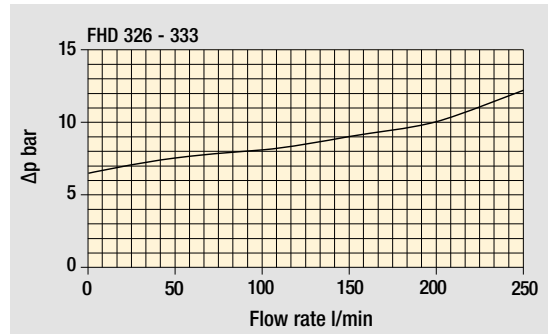
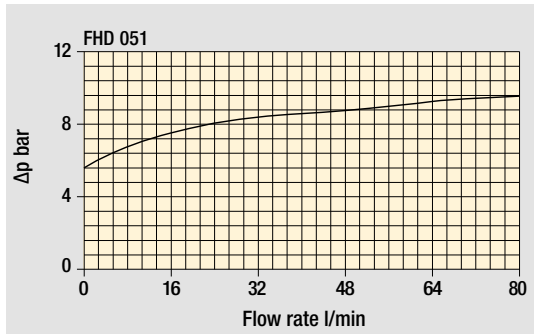
Filter series	Style S	Style B	Style B
FHD 021	•	-	-
FHD 051	•	-	-
FHD 326	•	-	•
FHD 333	•	-	•

Pressure drop

Filter housings Δp pressure drop



Bypass valve pressure drop



The curves are plotted using mineral oil with density of 0.86 kg/dm³ in compliance with ISO 3968. Δp varies proportionally with density.

Designation & Ordering code

COMPLETE FILTER

Series and size	Configuration example: FHD021 4 S A G1 A06 H P01							
FHD021								
Length								
2 3 4								
Bypass valve								
S Without bypass								
Seals								
A NBR								
V FPM								
Connections								
G1 G 1/2"								
G2 1/2" NPT								
G3 SAE 8 - 3/4" - 16 UNF								
Filtration rating (filter media)								
A03 Inorganic microfiber 3 µm								
A06 Inorganic microfiber 6 µm								
A10 Inorganic microfiber 10 µm								
A16 Inorganic microfiber 16 µm								
A25 Inorganic microfiber 25 µm								
M25 Wire mesh 25 µm								
	Filtration rating							
	Element Δp	Axx	M25	Execution				
	N 20 bar	-	•	P01 MP Filtri standard				
	H 210 bar	•	•	Pxx Customized				

FILTER ELEMENT

Element series and size	Configuration example: HP011 4 A06 A H P01					
HP011						
Element length						
2 3 4						
Filtration rating (filter media)						
A03 Inorganic microfiber 3 µm						
A06 Inorganic microfiber 6 µm						
A10 Inorganic microfiber 10 µm						
A16 Inorganic microfiber 16 µm						
A25 Inorganic microfiber 25 µm						
M25 Wire mesh 25 µm						
	Filtration rating					
	Seals	Element Δp	Axx	M25	Execution	
	A NBR	N 20 bar	-	•	P01 MP Filtri standard	
	V FPM	H 210 bar	•	•	Pxx Customized	

CLOGGING INDICATORS

See page 727

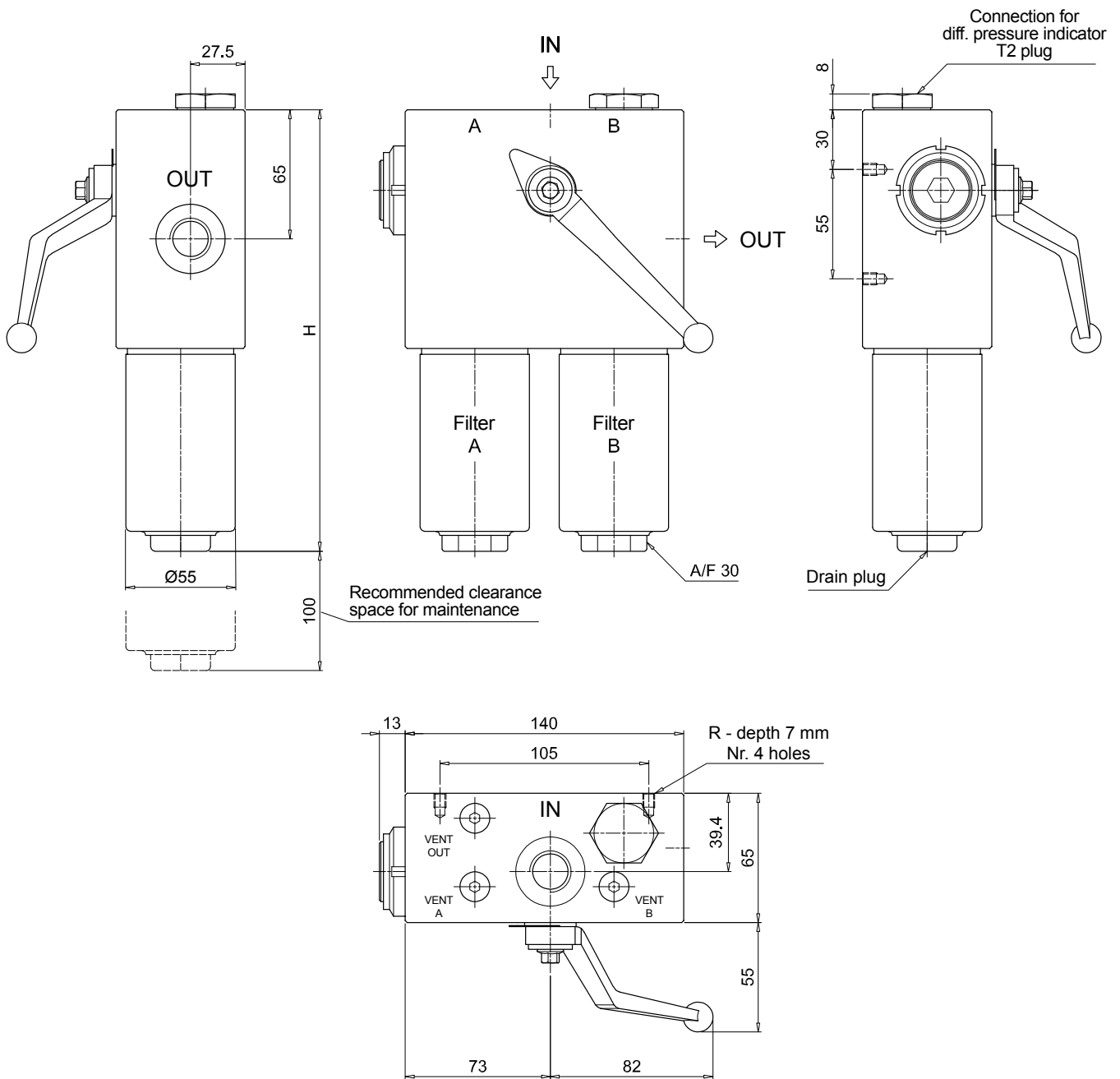
DEA Electrical differential pressure indicator	DLE Electrical / visual differential pressure indicator
DEM Electrical differential pressure indicator	DTA Electronic differential pressure indicator
DEU Electrical differential pressure indicator	DVA Visual differential pressure indicator
DLA Electrical / visual differential pressure indicator	DVM Visual differential pressure indicator

PLUGS

See page 747

T2 Plug (not included)

FHDO21	
Filter length	H [mm]
2	172
3	222
4	272
Connections	R
G1	M6
G2 - G3	1/4" UNC



FHD FHD051 - FHD326 - FHD333

Designation & Ordering code

COMPLETE FILTER

Series and size Configuration example: **FHD326** | **3** | **S** | **A** | **G1** | **M25** | **N** | **P01**

FHD051 | **FHD326** | **FHD333**

Length	FHD051	FHD326	FHD333
1	-	•	-
2	•	•	•
3	•	•	•
4	•	-	•
5	•	-	-

Valves

S Without bypass
B With bypass 6 bar

Seals

A NBR
V FPM

Connections	FHD051	FHD326	FHD333
G1	G 3/4"	G 1 1/4"	-
G2	3/4" NPT	-	-
G3	G 1/2"	1 1/4" NPT	-
G4	1/2" NPT	SAE 20 - 1 5/8" - 12 UN	-
G5	SAE 8 - 3/4" - 16 UNF	-	-
G6	SAE 12 - 1 1/16" - 12 UN	-	-
F1	-	-	1 1/2" SAE 6000 psi/M
F2	-	-	1 1/2" SAE 6000 psi/UNC

Filtration rating (filter media)

A03 Inorganic microfiber	3 µm
A06 Inorganic microfiber	6 µm
A10 Inorganic microfiber	10 µm
A16 Inorganic microfiber	16 µm
A25 Inorganic microfiber	25 µm
M25 Wire mesh	25 µm

Element Δp	Filtration rating		Execution
	Axx	M25	
N 20 bar	-	•	P01 MP Filtri standard
R 20 bar	•	-	Pxx Customized
S 210 bar	•	-	

FILTER ELEMENT

Element series and size Configuration example: **HP320** | **3** | **M25** | **A** | **N** | **P01**

	FHD051	FHD326	FHD333
HP050	•	-	-
HP320	-	•	•

Element length	HP050	HP320
1	-	•
2	•	•
3	•	•
4	•	•
5	•	-

Filtration rating (filter media)

A03 Inorganic microfiber	3 µm
A06 Inorganic microfiber	6 µm
A10 Inorganic microfiber	10 µm
A16 Inorganic microfiber	16 µm
A25 Inorganic microfiber	25 µm
M25 Wire mesh	25 µm

Seals	Element Δp	Filtration rating		Execution
		Axx	M25	
A NBR	N 20 bar	-	•	P01 MP Filtri standard
V FPM	R 20 bar	•	-	Pxx Customized
	S 210 bar	•	-	

CLOGGING INDICATORS

See page 727

DEA Electrical differential pressure indicator
DEM Electrical differential pressure indicator
DEU Electrical differential pressure indicator
DLA Electrical / visual differential pressure indicator

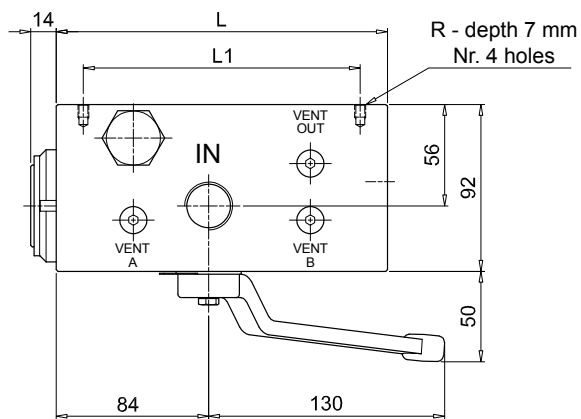
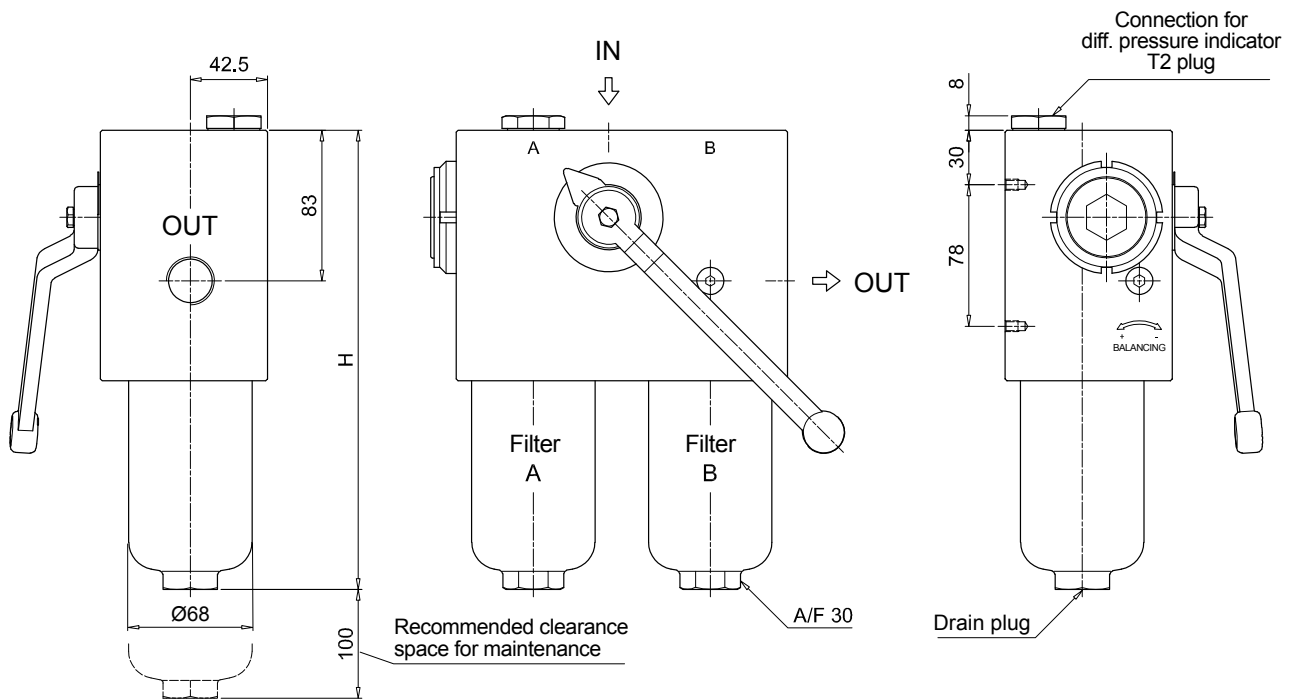
DLE Electrical / visual differential pressure indicator
DTA Electronic differential pressure indicator
DVA Visual differential pressure indicator
DVM Visual differential pressure indicator

PLUGS

See page 747

T2 Plug (not included)

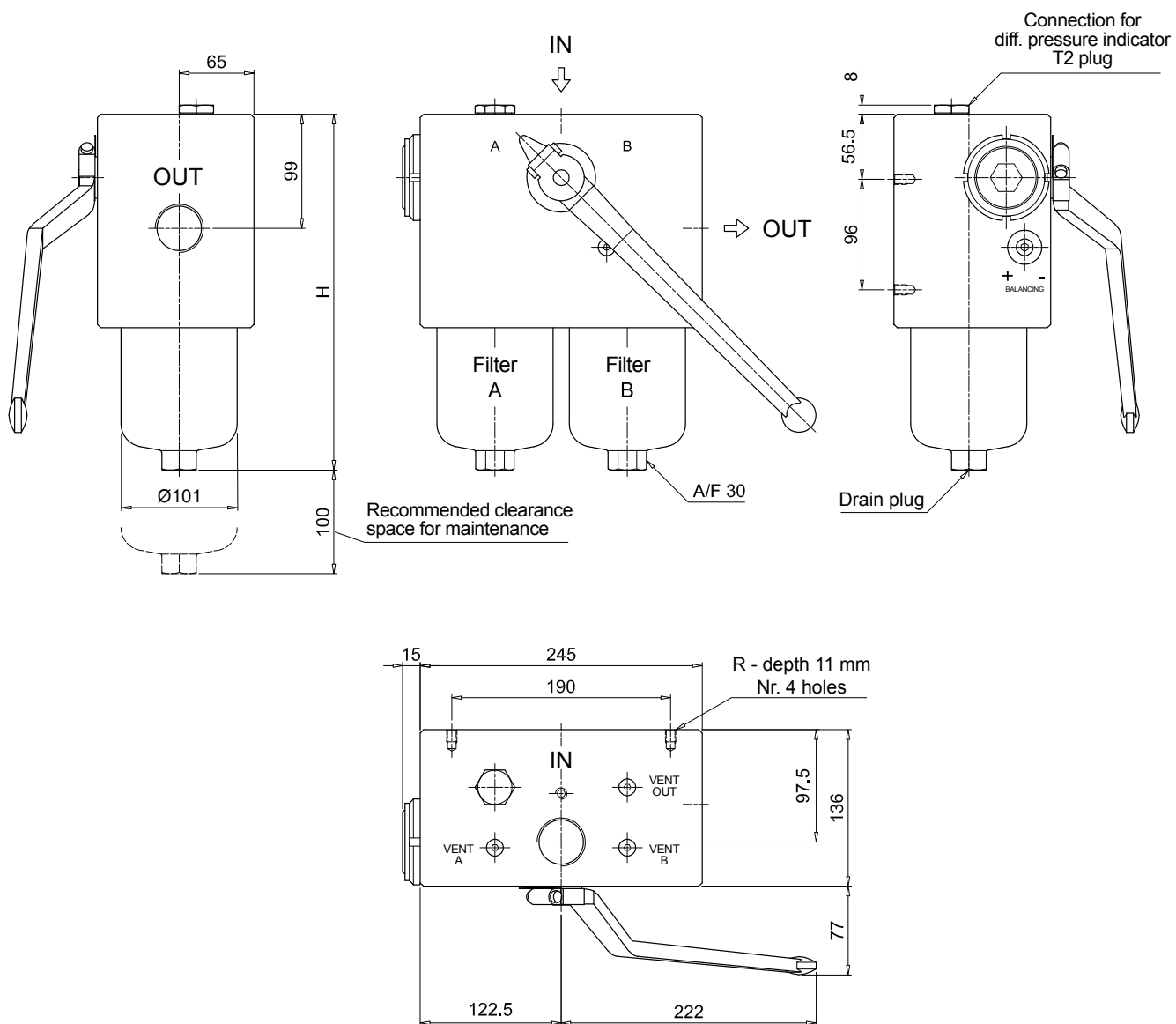
FHD051		
Filter length	H [mm]	
2	253	
3	295	
4	343	
5	465	
Connections	R	
G1	M6	
G2	1/4" UNC	
G3	M6	
G4-G5-G6	1/4" UNC	
Valves	L [mm]	L1 [mm]
S	168	138
B	182.5	152.5



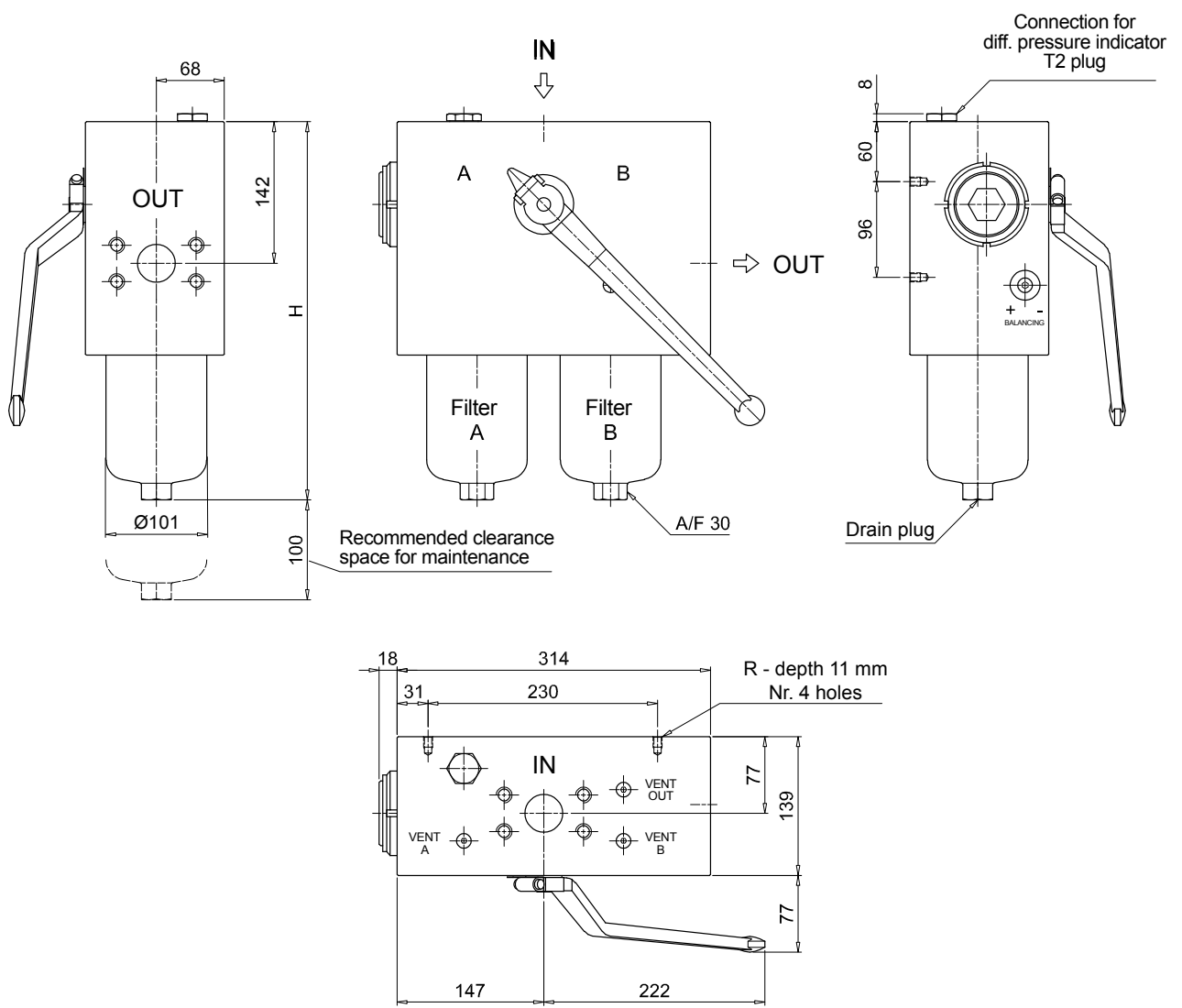
FHD FHD051 - FHD326 - FHD333

Dimensions

FHD326	
Filter length	H [mm]
1	309
2	432
3	564
Connections	R
G1	M10
G2 - G3	3/8" UNC



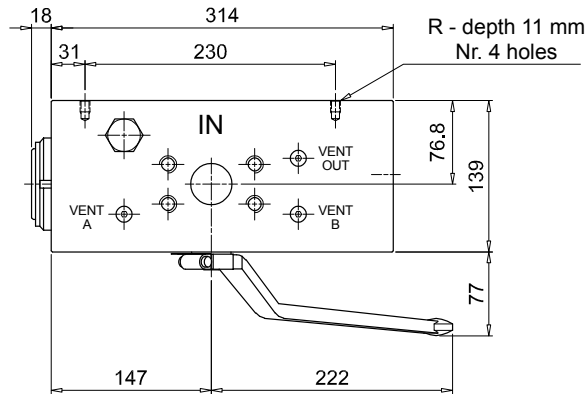
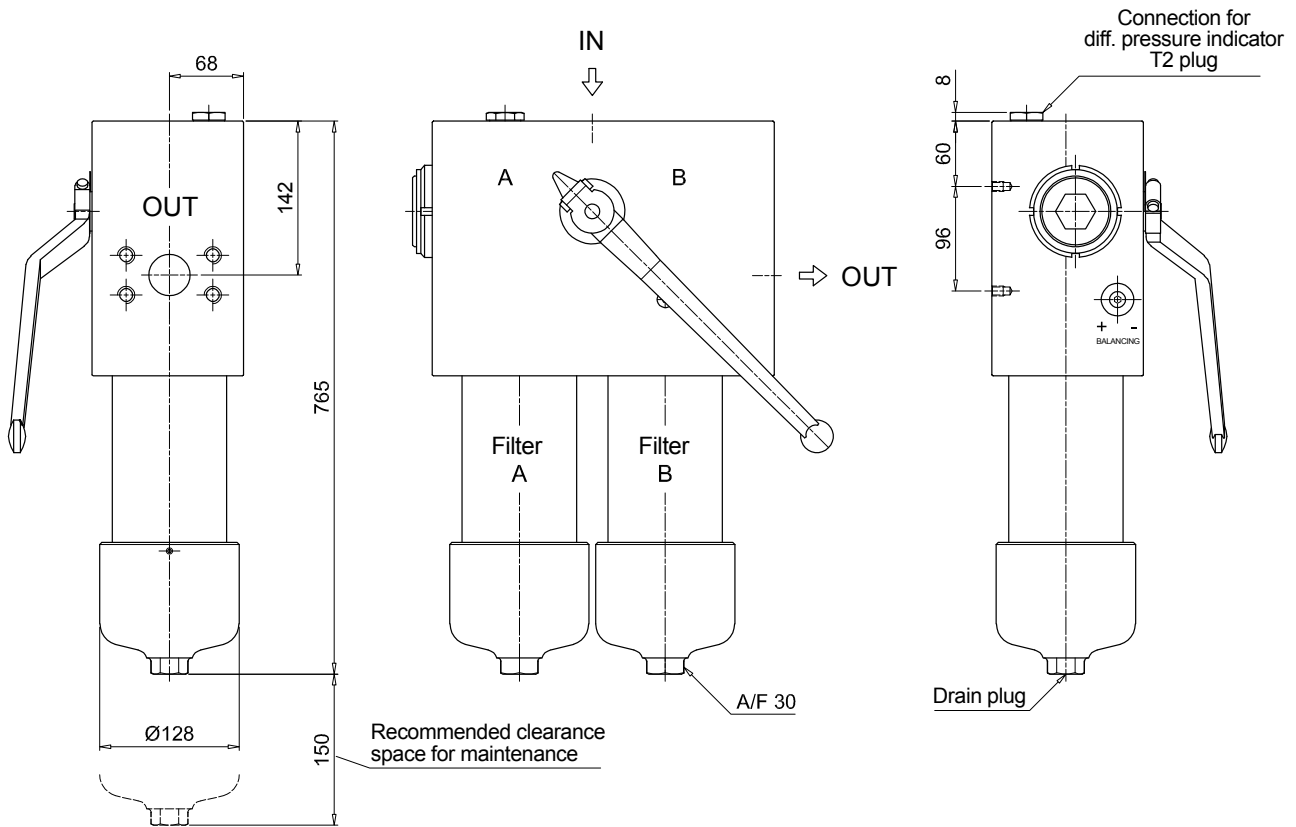
FHD333	
Length 2 - 3	
Filter length	H [mm]
2	479
3	612
Connections	R
F1	M10
F2	3/8" UNC



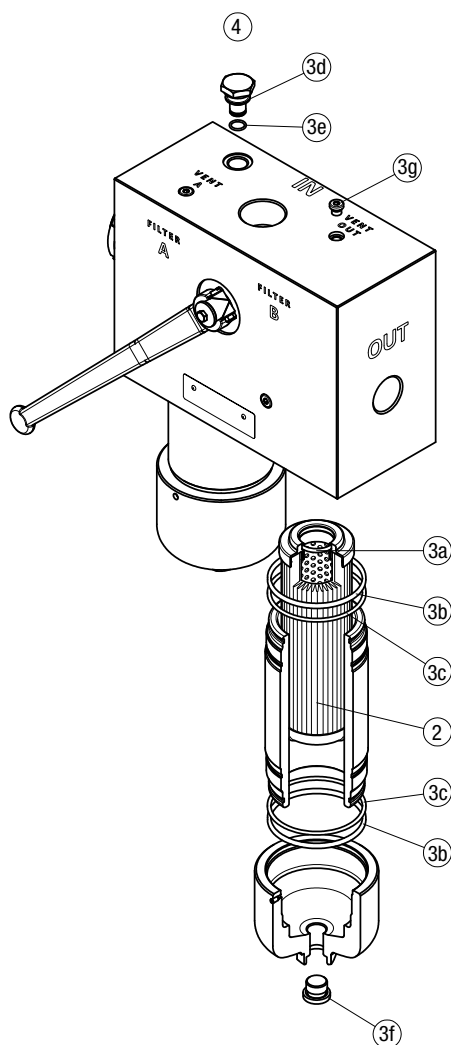
FHD FHD051 - FHD326 - FHD333

Dimensions

FHD333	
Length 4	
Connections	R
F1	M10
F2	3/8" UNC



FHD 021 - 051 - 326 - 333



Item:	Q.ty: 1 pc.	Q.ty: 1 pc.		Q.ty: 1 pc.	
Filter series	Filter element	Seal Kit code number		Indicator connection plug	
FHD 021	See order table	NBR	FPM	NBR	FPM
FHD 051		02050511	02050512	T2H	T2V
FHD 326-333		02050420	02050421		
		02050377	02050378		

DIFFERENTIAL PRESSURE INDICATORS

Series	Configuration example 1:							Configuration example 2:		Configuration example 3:		Configuration example 4:		Configuration example 5:	
DE Electrical differential pressure indicator	DE	M	12	H	F	50	P01	DE	U	50	V	A	50	P01	UL
DL Electrical/Visual differential pressure indicator	DL	E	20	V	A	71	P01	DL	E	20	V	A	71	P01	
DT Electronic differential pressure indicator	DT	A	50	H	F	70	P01	DT	A	50	H	F	70	P01	
DV Visual differential pressure indicator	DV	M	70	V			P01	DV	M	70	V			P01	

Type	DE	DL	DT	DV
A Standard type	•	•	•	A With automatic reset
M With wired electrical connection	•	-	-	M With manual reset
U Standard type 210 bar, UL certified	•	-	-	
E For high power supply	-	•	-	

Pressure setting	DEA	DEM	DEU	DLA	DLE	DTA	DVA	DVM
50 5.0 bar	•	•	•	•	•	•	•	•
70 7.0 bar	•	•	•	•	•	•	•	•
95 9.5 bar	•	•	-	•	•	•	•	•

Seals	DEA	DEM	DEU	DLA	DLE	DTA	DVA	DVM
H HNBR	•	•	-	•	•	•	•	•
V FPM	•	•	•	•	•	•	•	•

Thermostat	DEA	DEM	DEU	DLA	DLE	DT
A Without thermostat	•	•	•	•	•	-
F With thermostat	-	•	-	-	•	•

Electrical connections	DEA	DEM	DEU	DLA	DLE	DT
10 Connection AMP Superseal series 1.5	-	•	-	-	-	-
20 Connection AMP Timer Junior	-	•	-	-	-	-
30 Connection Deutsch DT-04-2-P	-	•	-	-	-	-
35 Connection Deutsch DT-04-3-P	-	•	-	-	-	-
50 Connection EN 175301-803	•	-	•	-	•	-
51 Connection EN 175301-803, transparent base with lamps 24 Vdc	-	-	-	•	-	-
52 Connection EN 175301-803, transparent base with lamps 110 Vdc	-	-	-	•	-	-
70 Connection IEC 61076-2-101 D (M12)	-	-	-	-	-	•
71 Connection IEC 61076-2-101 D (M12), black base with lamps 24 Vdc	-	-	-	•	-	-

Option
P01 MP Filtri standard
Pxx Customized

Certifications	DEU	OTHERS
Without	-	•
UL UL certification	•	-

PLUGS

Series	Configuration example	
T2 Plug	T2	H

Seals
H HNBR
V FPM