

# MPAP2V & MPAP3V Series

High Pressure Ball Valves



## Technical data

### Ball valves

#### High Pressure Ball Valves

MP Filtri USA offers 2-way and 3-way steel high pressure ball valves

#### MPAP2V

- Steel body
- Zinc plated
- No Leakage
- Valve can turn under maximum pressure

#### MPAP3V

- Steel body
- Zinc plated
- Valve can turn under pressure
- Counter pressure to closed port cannot be applied

#### Standard Features

- Steel body
- Zinc plated
- No leakage
- Valve can turn under maximum pressure

#### Optional Features

- Chromium plated
- Green zinc plated
- Special hand lever
- Metric thread
- Male thread
- DIN 2353 fitting port thread

#### Applications

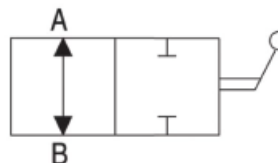
- Ball valves are used to open or close flow
- Can be opened or closed even under maximum pressure without allowing leakage

#### Installation

- Pressure flow and actuator are connected with valve ports

#### Operation

- Oil flows through valve when hand lever is in Pos. 1
- Flow stops when hand lever is in Pos. 2



## Designation & Ordering code

### COMPLETE BALL VALVE

#### Series

**MPAP2V** 2 way ball valve

Configuration example 1 : **MPAP2V** **03** **N** **P01**

Configuration example 2 : **MPAP2V** **015** **S** **P01**

#### Valve size

	NPT	SAE
<b>005</b>	-	7/16" - 20 (SAE - 4)
<b>01</b>	1/4"	-
<b>015</b>	-	9/16" - 18 (SAE - 6)
<b>02</b>	3/8"	3/4" - 16 (SAE - 8)
<b>03</b>	1/2"	7/8" - 14 (SAE - 10)
<b>04</b>	3/4"	1 1/16" - 12 (SAE - 12)
<b>05</b>	1"	1 5/6" - 12 (SAE - 16)
<b>06</b>	1 1/4"	1 5/8" - 12 (SAE - 20)
<b>07</b>	1 1/2"	1 7/8" - 12 (SAE - 24)

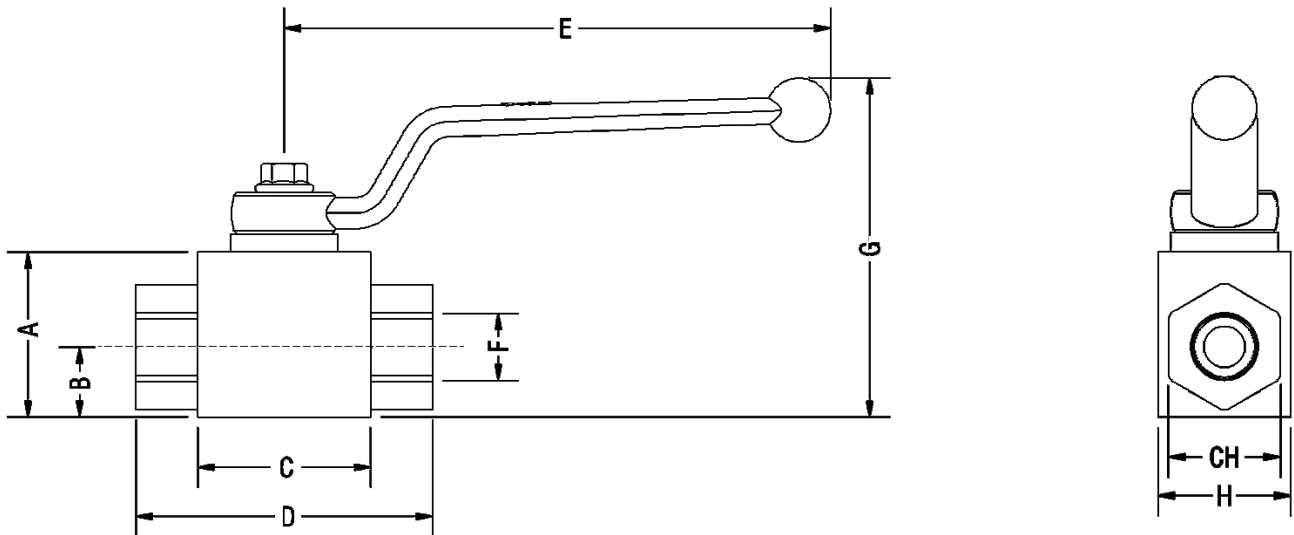
#### Connection type

**N** Thread NPT  
**S** Thread SAE

#### Execution

**P01** MP Filtri Standard

**Pxx** Custom



Valve size	A	B	C	D	E	F (NPT)	F (SAE)	G	H	Ch
005	32	13	37	69	120	-	SAE 4	72.5	28	22
01	32	13	37	69	120	1/4"	-	72.5	28	22
015	40	17	42	72	120	-	SAE 6	80.5	32	27
02	40	17	48	83	120	3/8"	SAE 8	80.5	35	30
03	46	19	47	83	155	1/2"	SAE 10	102	38	32
04	57	24	60	95	170	3/4"	SAE 12	118	48	41
05	64	28.5	65	113	170	1"	SAE 16	125	57	50
06	64	28.5	65	120	170	1 - 1/4" / 1-1/2"	SAE 20	125	60	55
07	64	28,5	65	130	170	1 - 1/2"	SAE 24	125	60	60

Dimension	005	01	015	02	03	04	05	06	07
Max Pressure (PSI)	7252	7252	7252	7252	7252	5076	42.27	4061	4061
Max Flow (gpm)	7.93	7.63	7.93	13.21	21.13	31.70	5076	42.27	42.27
Nominal Diameter (mm)	6	6	6	10	13	20	25	25	25

## Technical data

### Ball valves

#### High Pressure Ball Valves

High performance ball valve that ensures efficient fluid flow, safeguarding critical components and prolonging equipment lifespan while being protected from all materials due to its stainless steel body

#### Standard Features

- Steel body
- Zinc plated
- Valve can turn under maximum pressure
- Counter pressure to closed port cannot be applied

#### Optional Features

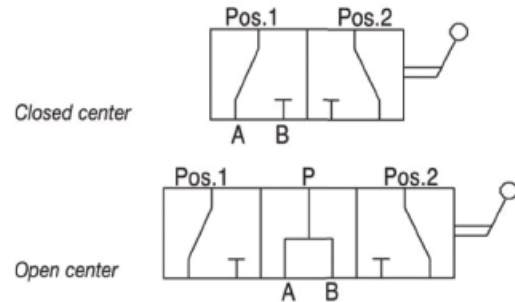
- Chromium plated
- Green zinc plated
- Special hand lever
- Metric thread
- Male thread
- DIN 2353 fitting port thread

#### Applications

- Connect single inlet flow into two outlet flows or combine two inlet flows into single outlet flow
- Control a single acting actuator

### Operation

- Hand lever is Pos. 1 allows flow to port A
- Hand lever is Pos. 2 allows flow to port B
- L type (closed center) - when hand lever is in mid position all ports are partially closed (hand lever only turns 90°)
- T type (open center) - when hand lever is in mid position all ports are completely open (hand lever turns 180°)



## Designation & Ordering code

### COMPLETE BALL VALVE

Series

**MPAP3V** 3 way ball valve

Configuration example 1 : MPAP3V 03 N T P01

Configuration example 2 : MPAP3V 015 S L P01

Valve size

	NPT	SAE
<b>005</b>	-	7/16" - 20 (SAE - 4)
<b>01</b>	1/4"	-
<b>015</b>	-	9/16" - 18 (SAE - 6)
<b>02</b>	3/8"	3/4" - 16 (SAE - 8)
<b>03</b>	1/2"	7/8" - 14 (SAE - 10)
<b>04</b>	3/4"	1 1/16" - 12 (SAE - 12)
<b>05</b>	1"	1 5/8" - 12 (SAE - 16)
<b>06</b>	1 1/4"	1 5/8" - 12 (SAE - 20)

Connection type

**N** Thread NPT

**S** Thread SAE

Hydraulic scheme

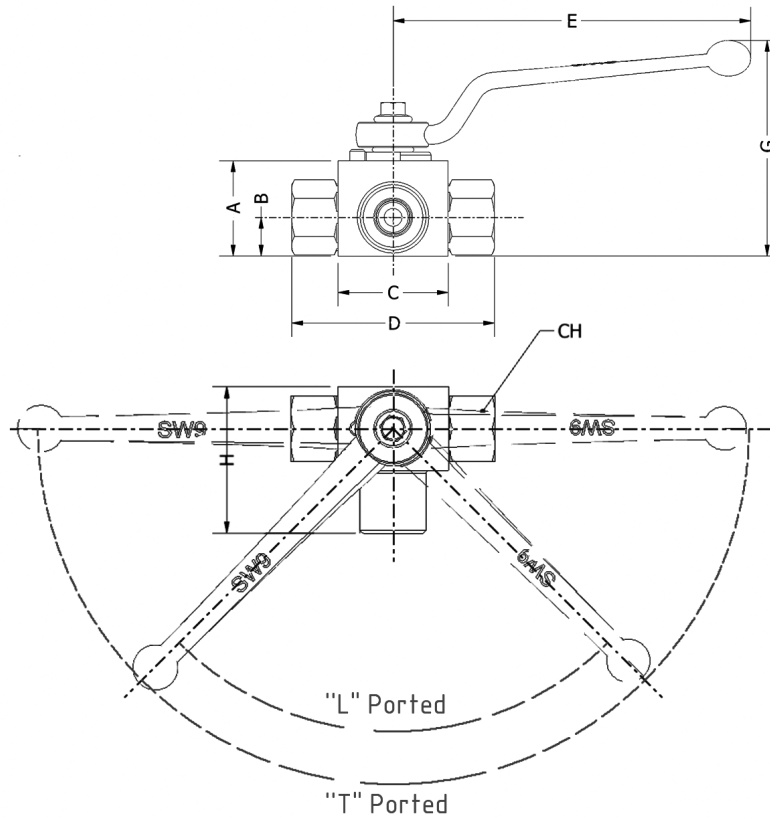
**T** Open center

**L** Close center

Execution

**P01** MP Filtri Standard

**Pxx** Custom



Valve size	A	B	C	D	E	F (NPT)	F (SAE)	G	H	Ch
005	32	13	37	69	120	-	SAE 4	72.5	49	22
01	32	13	37	69	120	1/4"	-	72.5	49	22
015	40	17	42	72	120	-	SAE 6	80.5	52	27
02	40	17	48	83	120	3/8"	SAE 8	80.5	57.5	30
03	40	17	48	83	120	1/2"	SAE 10	80.5	57.5	30
04	57	24	60	95	170	3/4"	SAE 12	118	73	41
05	64	28.5	65	113	170	1"	SAE 16	125	85	50
06	64	28.5	65	120	170	1" - 1/4"	SAE 20	125	90	55

Dimension	005	01	015	02	03	04	05	06
Max Pressure (PSI)	7252	7252	7252	7252	7252	5076	42.27	4061
Max Flow (gpm)	7.93	7.63	7.93	13.21	21.13	31.70	5076	42.27
Nominal Diameter (mm)	6	6	10	13	13	20	25	25