

MPBA & MPBF Series

Compact OEM Pressure Switch



Technical data

Clogging indicators

Compact OEM Pressure Switch

A miniature pressure switch with high proof pressures ideal for mobile and other harsh applications. It is a well sealed design that offers ingress protection to IP68 when paired with the flying lead option. It is offered with a variety of mechanical and electrical terminations for easy integration.

Standard Features

- Silver Nickel alloy contacts
- Direct blade contact
- Diaphragm/Piston combination
- High ingress protection
- Compact body
- Gold contact available

Applications

- Industrial tools
- Garbage trucks
- Brake pressure switch

Materials

Diaphragm: standard Nitrile (optional Viton, EPDM, HNBR)
Housing: zinc plated steel (optional stainless steel)

Specification

Electrical: 100 VA - 42 VDC
Switch type: blade contact
Protection: exposed terminals - IP00 (IP68 available)
Mechanical range: 1,000,000 cycles at 1000 PSI (69 bar)
Repeatability: +/- 3% of full set point range at 68 °F (20 °C)
+/- 1.5 psi

Pressure range

Model 1: from 1.5 to 20 psi (from 0.1 to 1.4 bar)
Model 2: from 20 to 120 psi (from 1.4 to 8.2 bar)
Model 3: from 90 to 250 psi (from 6.2 to 1.7 bar)
Model 4: from 250 to 950 psi (from 17 to 54 bar)
Model 5: from 700 to 1900 psi (from 48 to 131 bar)
Model 6: from 1000 to 3000 psi (from 69 to 206 bar)

Maximum overpressure: 9000 PSI (600 bar)

Temperature range

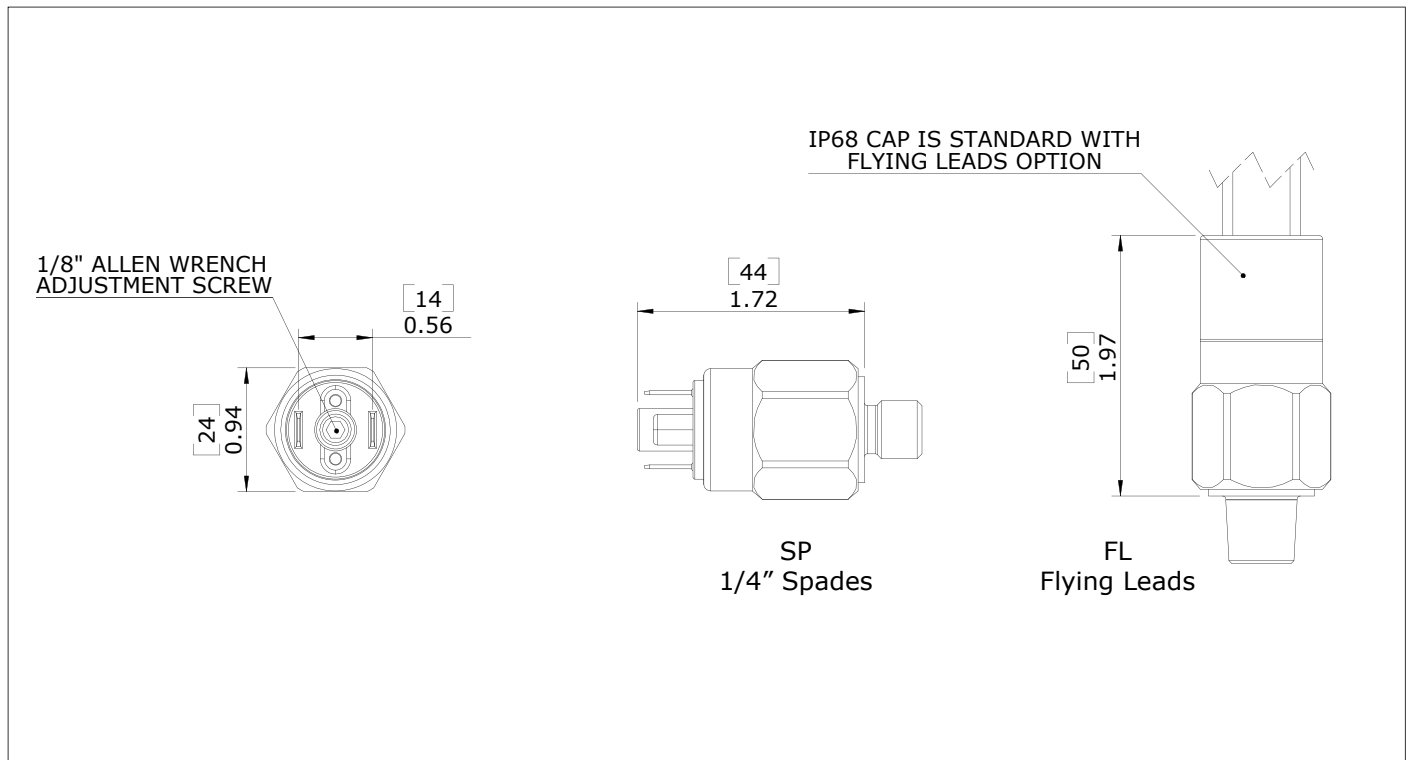
From -20°F to +180 °F (from -29 °C to +82 °C) Nitrile

Available settings

22 psi ± 10%
35 psi ± 10%

*Other Settings on request, MOQ may apply

Dimensions



MPBA & MPBF

Series

MPBA OEM integrated pressure switch
MPBF

Pressure selection

Adjustable range:	psi range	bar range
1	1.5 - 20	0.1 - 1.4
2	20 - 120	1.4 - 8.2
3	90 - 250	6.2 - 17
4	250 - 950	17 - 65
5	700 - 1900	48 - 131
6	1000 - 3000	69 - 206

Thread option

2M	1/8" NPT male
4m	1/4" NPT male
2G	1/8" BSPP male - G1/8
4G	1/4" BSPP male - G1/4
4S	7/16" - 20 SAE male with O-ring seal
6S	9/16" - 18 SAE male with O-ring seal

Circuit

A	SPST (normally open)
B	SPST (normally closed)

Electrical termination

FL	Flying Lead 18" long, 18 AWG, IP68 Cap is standard with this option
FLWF	Flying Lead Weatherpack connector, female, Tower, 10" long leads
FLWM	Flying Lead Weatherpack connector, male, Shroud, 10" long leads
FLDP	Flying Lead Deutsch connector, plug, 10" long leads
FLDR	Flying Lead Deutsch connector, receptacle, 10" long leads
SP	1/4" Spade

Options

1	FPM Diaphragm
2	EPDM Diaphragm
4	HNBR Diaphragm
7	Gold contact 0.4 VA - 30 VDC
20	Seal adjustment screw
30	Rubber Boot - Removable (Excludes IP68 Cap if selected)

Configuration example 1:	MPBA	2	2M	B	SP	1
Configuration example 2:	MPBF	35F	2M	B	SP	1

Set point	Direction	bar range
xxx	R	PSI Rising pressure
xxx	F	PSI Falling pressure
xxx	BR	BAR Rising pressure
xxx	BF	BAR Falling pressure

Wiring code

Contact	Flying leads	FLWF / FLWM Weatherpack	FLDR / FLDP Deutsch receptacle / pug
Common	Black	PIN A	PIN 1
Normally closed	Black	PIN B	PIN 2
Normally open	Black	PIN B	PIN 3