

# Weld Flanges

---



# Weld flange GENERAL INFORMATION

## Technical data

## Installation example

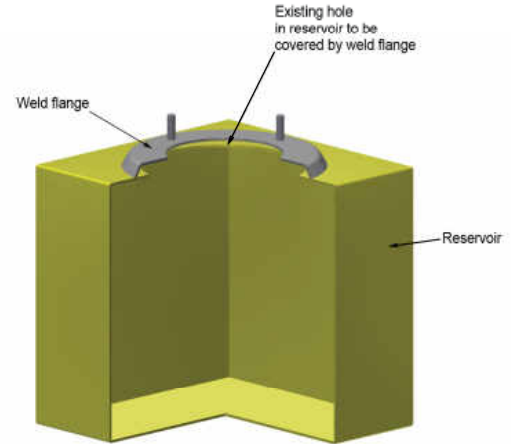
### Accessories

#### Weld flange

Weld Flanges are designed to mount MP Filtri tank top filters onto metal tanks that have existing holes that do not match the desired filter. Round as well as square versions are available.

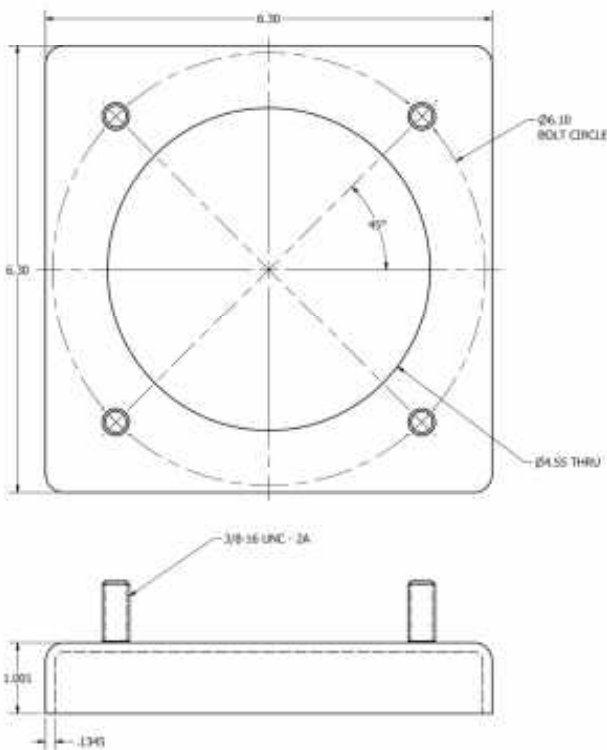
#### Standard Features

- Material: 1 gauge ASTM A569 steel
- Mounting surface flatness: 0.0007 in/in
- Press fit and tack welded studs

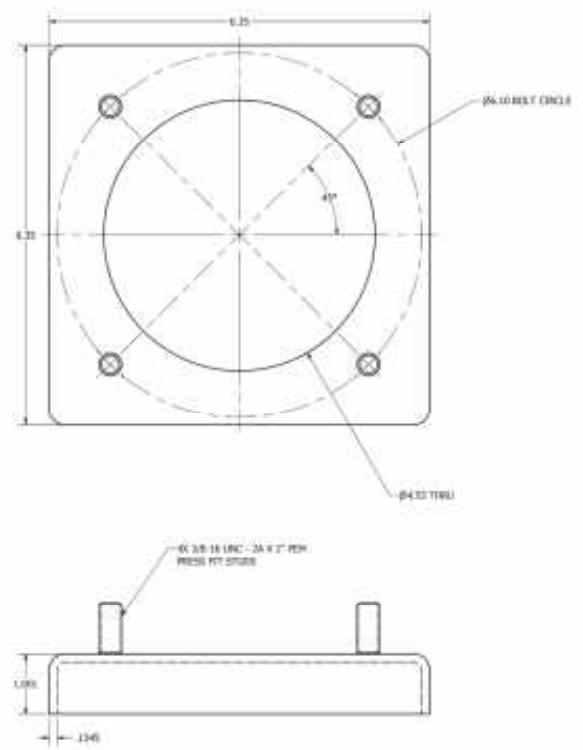


### SUCTION FILTER WELD FLANGE

#### SF2 250

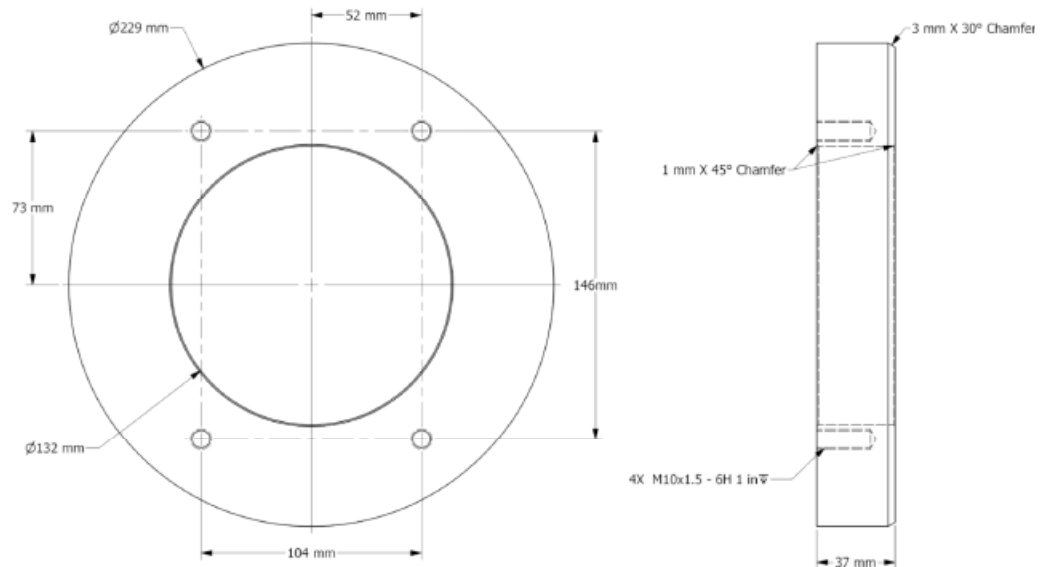


#### SF2 350

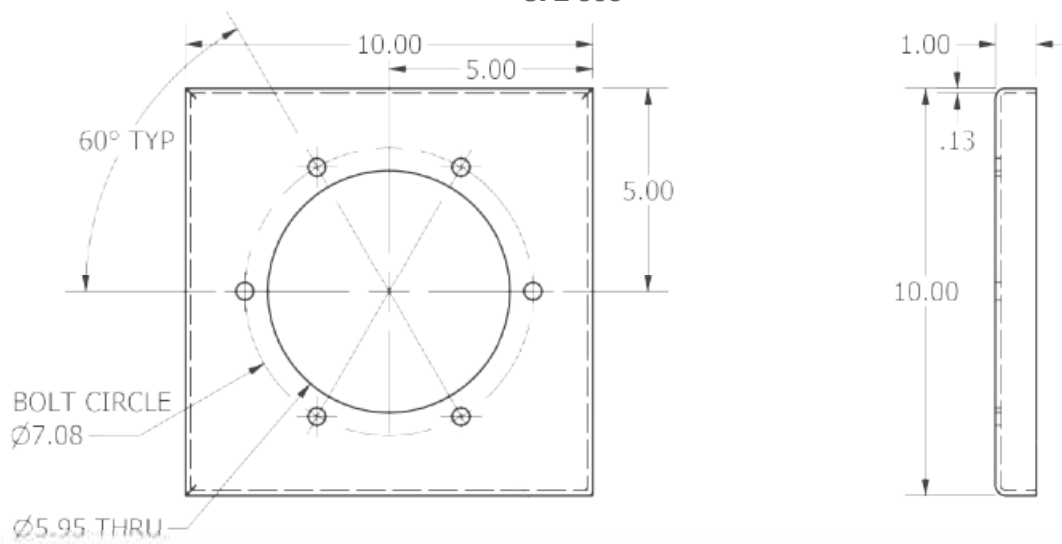


## SUCTION FILTER WELD FLANGE

### SF2 501



### SF2 503

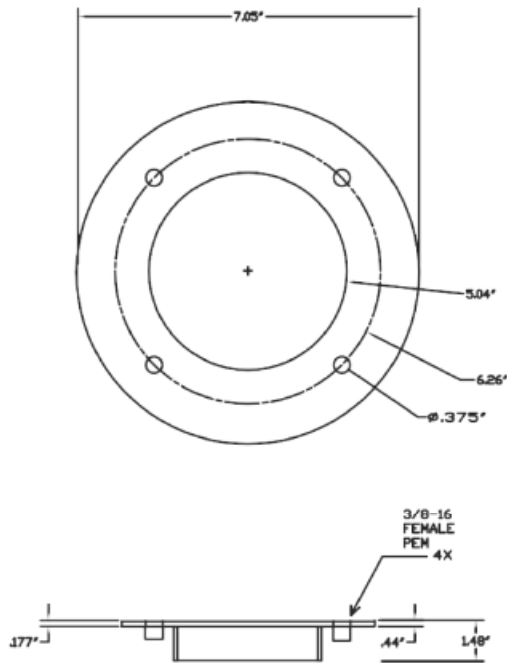


# Weld flange

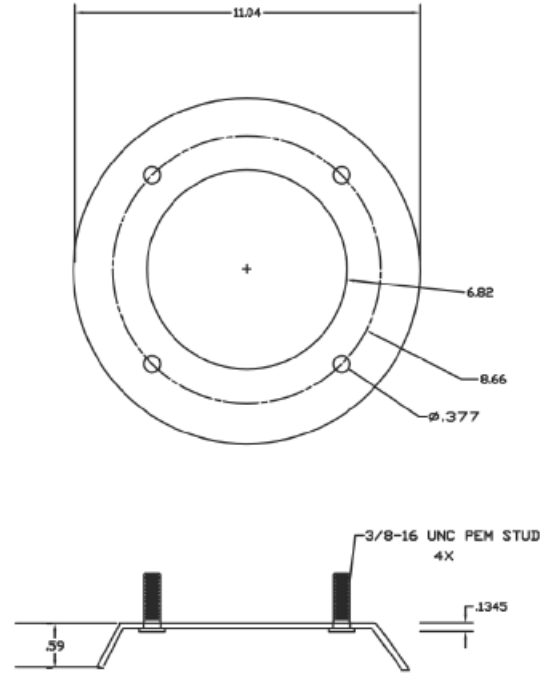
## Dimensions

### RETURN FILTER WELD FLANGE

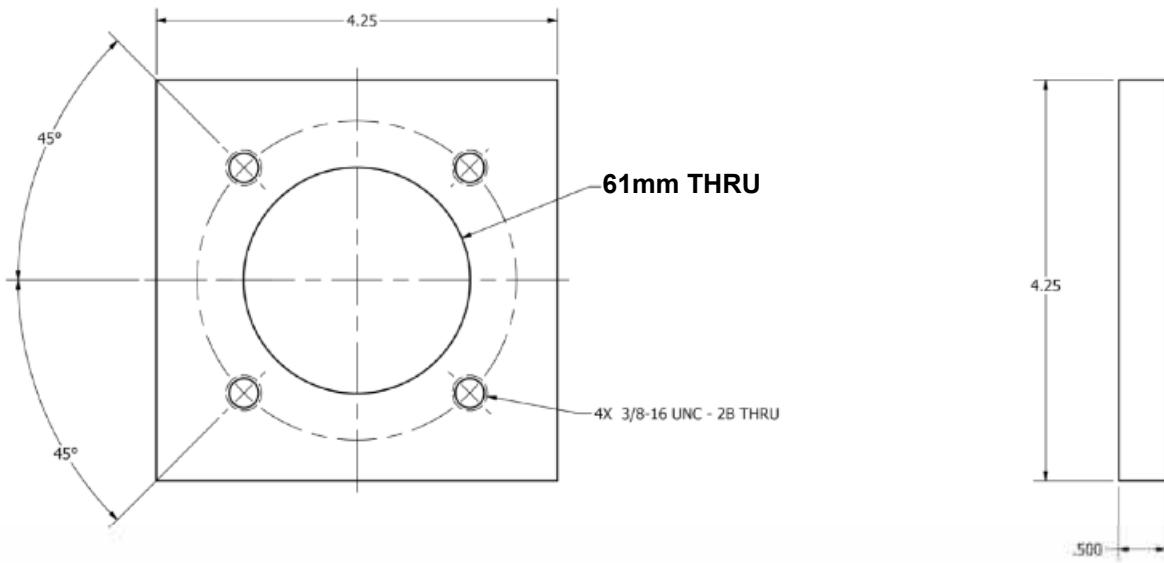
#### MPF/MPFX 184 Round



#### MPF/MPFX 400 Round MPF/MPFX 750 Round

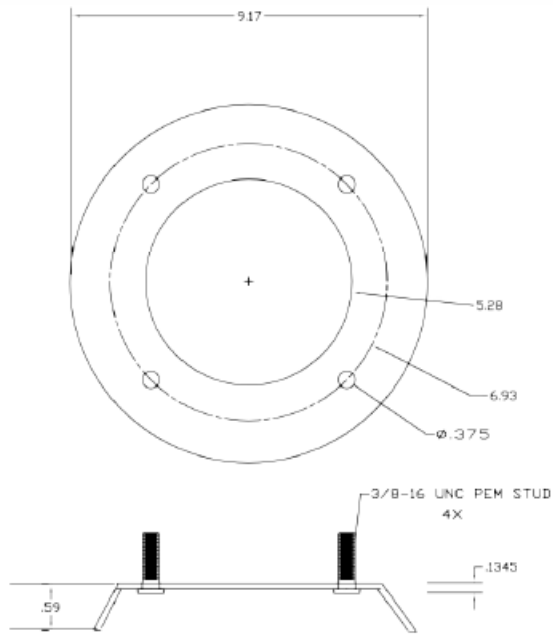


#### MPT/MPTX 027 Round

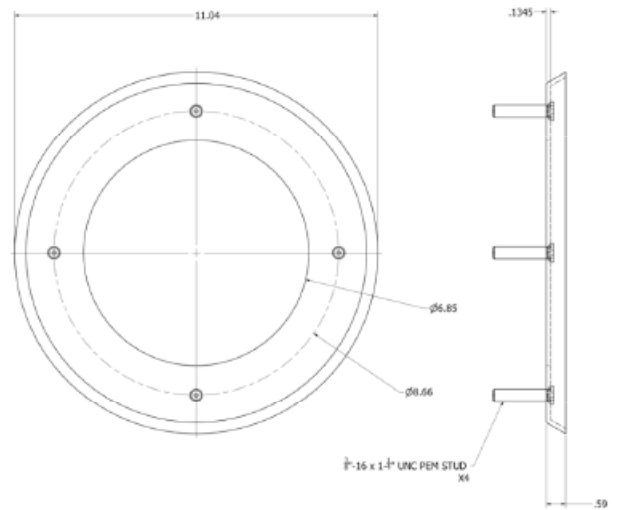


## RETURN FILTER WELD FLANGE

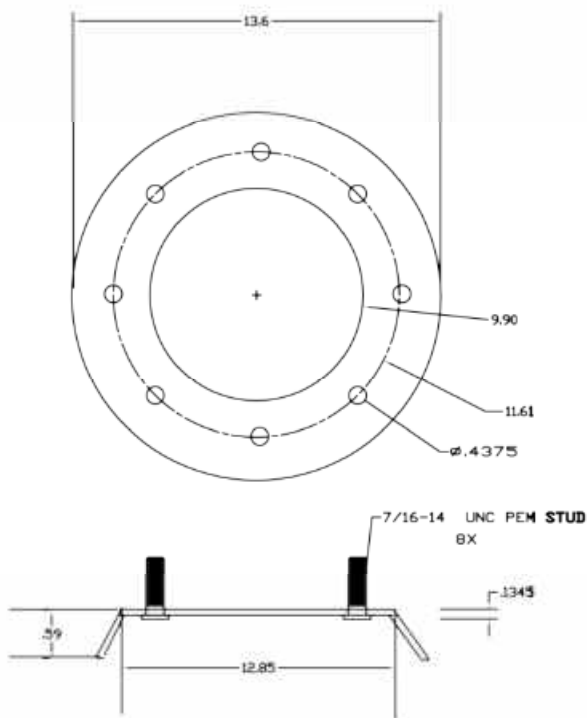
**MPH 250**



**MPH 630**



**MPH 850**



**MPH 630 Square**

