

Weld Flanges



Weld flange GENERAL INFORMATION

Technical data

Installation example

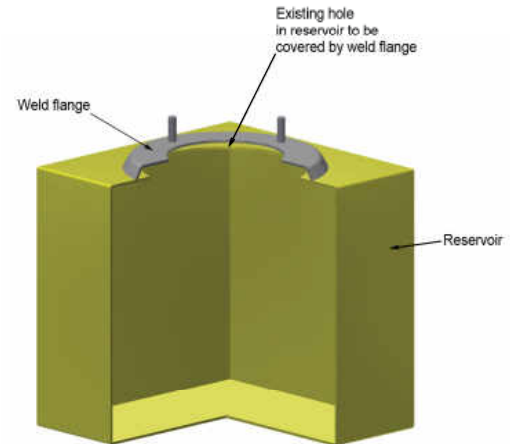
Accessories

Weld flange

Weld Flanges are designed to mount MP Filtri tank top filters onto metal tanks that have existing holes that do not match the desired filter. Round as well as square versions are available.

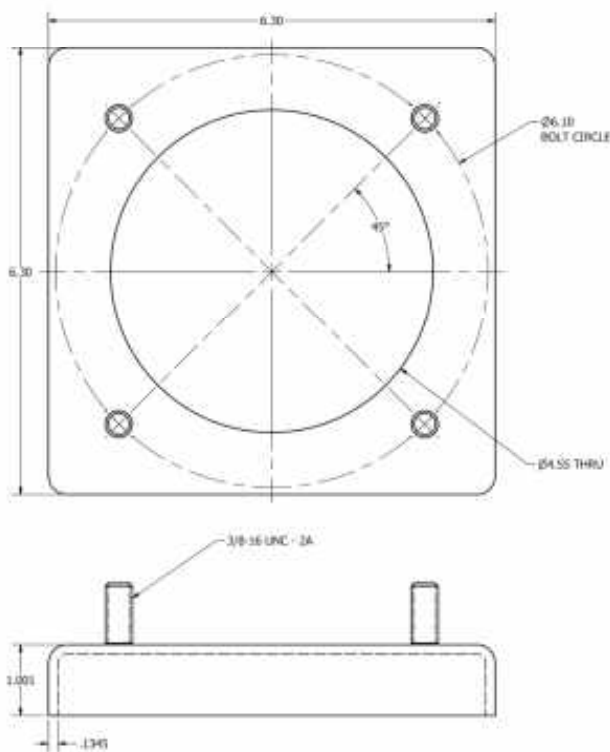
Standard Features

- Material: 1 gauge ASTM A569 steel
- Mounting surface flatness: 0.0007 in/in
- Press fit and tack welded studs

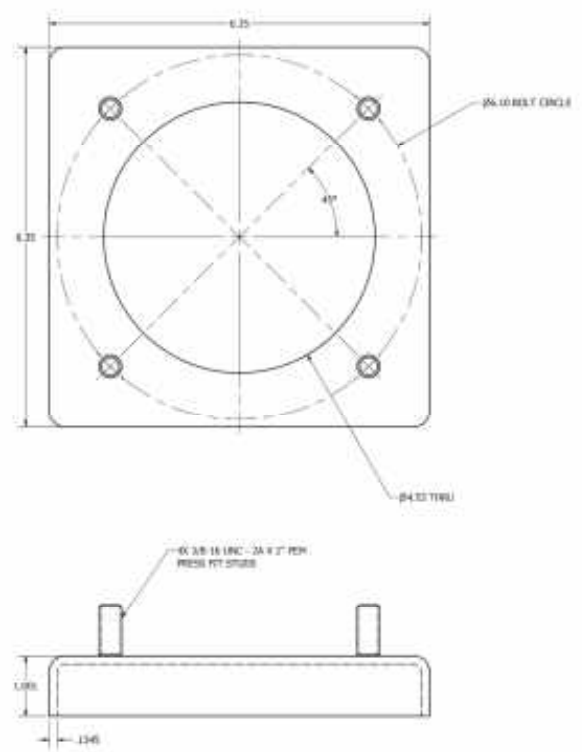


SUCTION FILTER WELD FLANGE

SFMC 250
Threaded connections

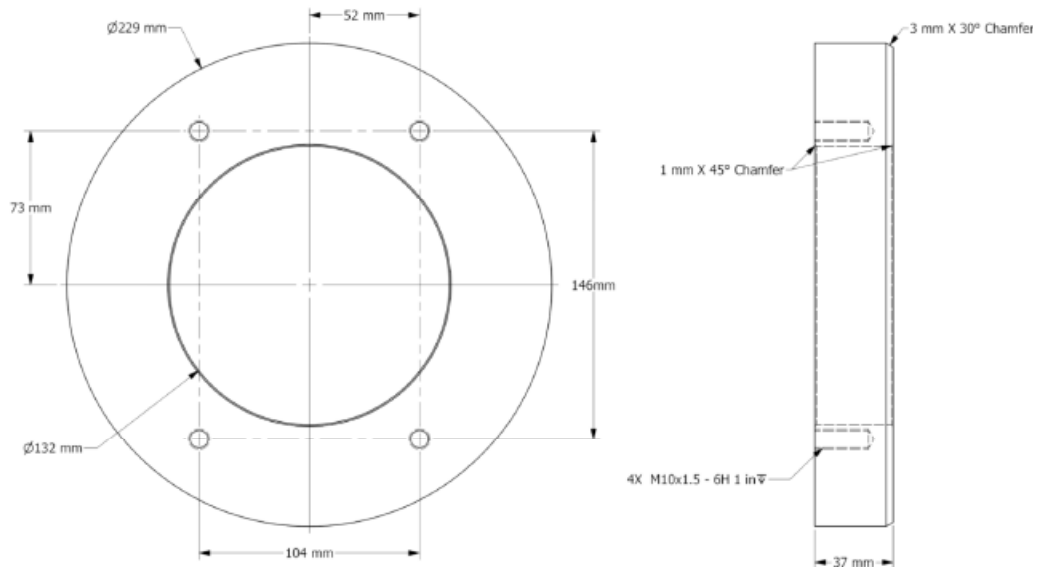


SFMC 250
Flanged connections

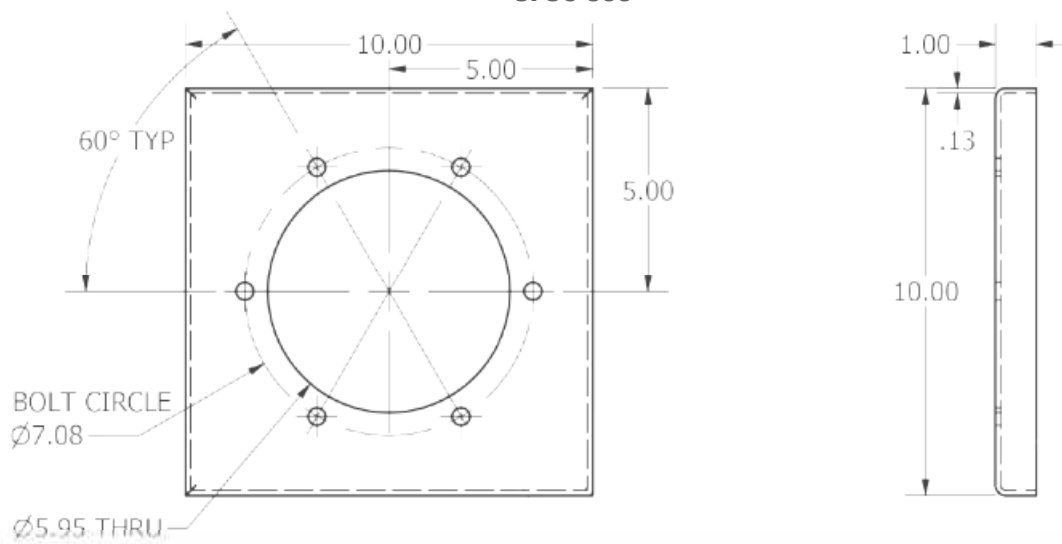


SUCTION FILTER WELD FLANGE

SFSC 500



SFSC 503

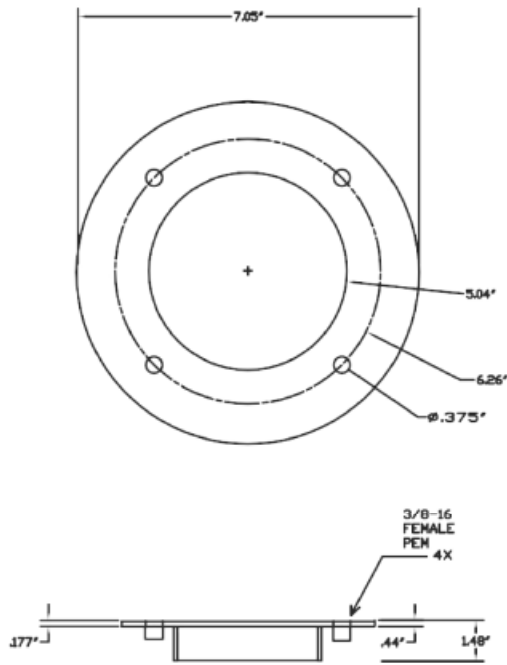


Weld flange

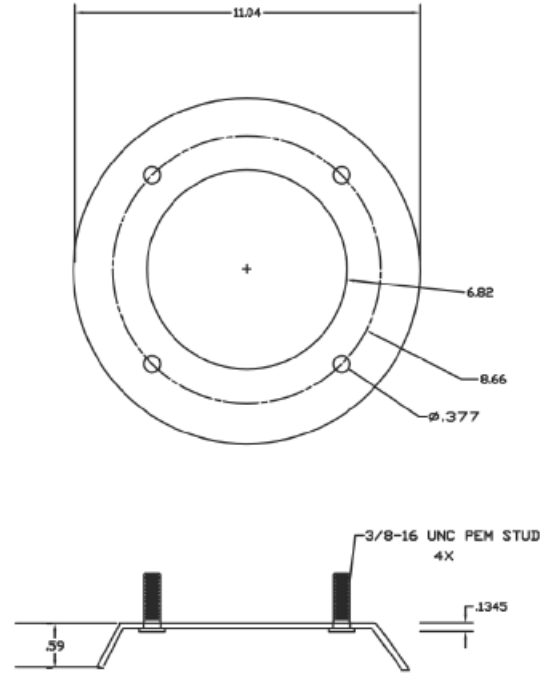
Dimensions

RETURN FILTER WELD FLANGE

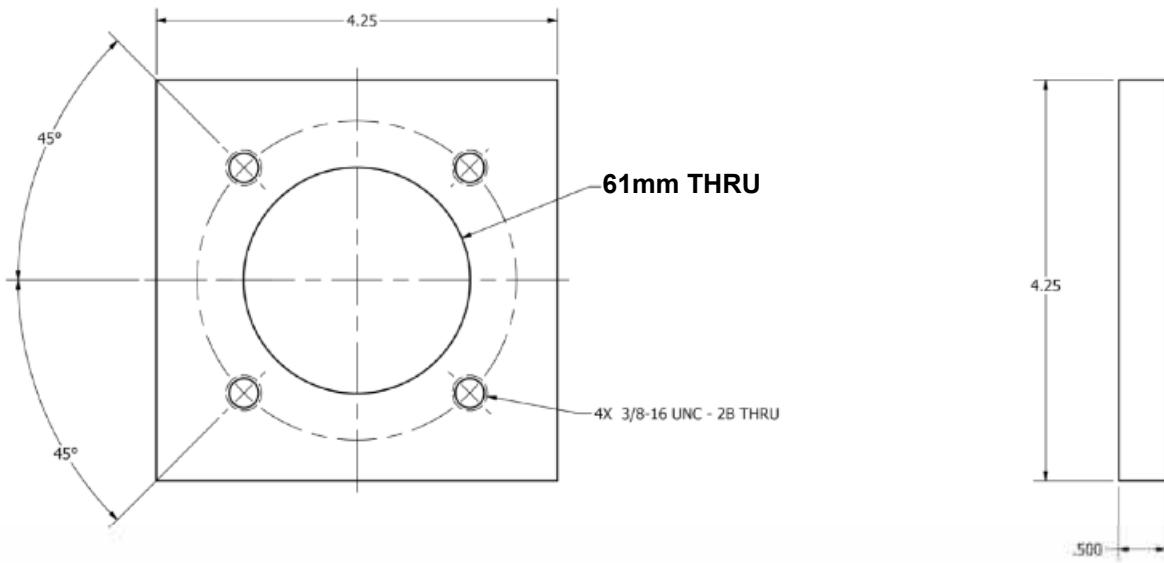
MPF/MPFX 184 Round



MPF/MPFX 400 Round MPF/MPFX 750 Round

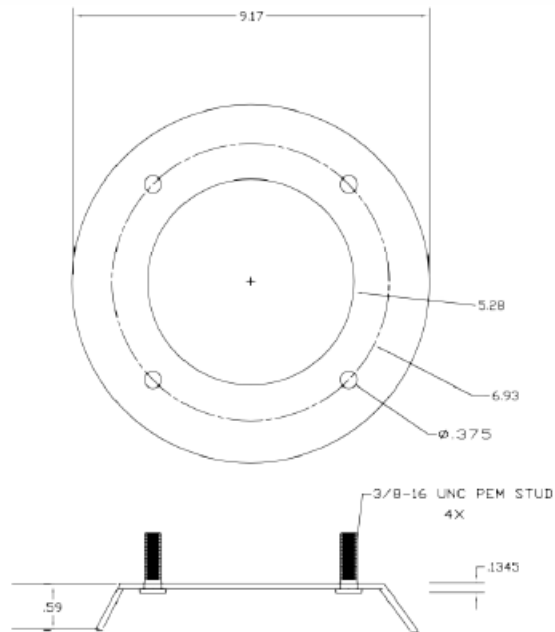


MPT/MPTX 027 Round

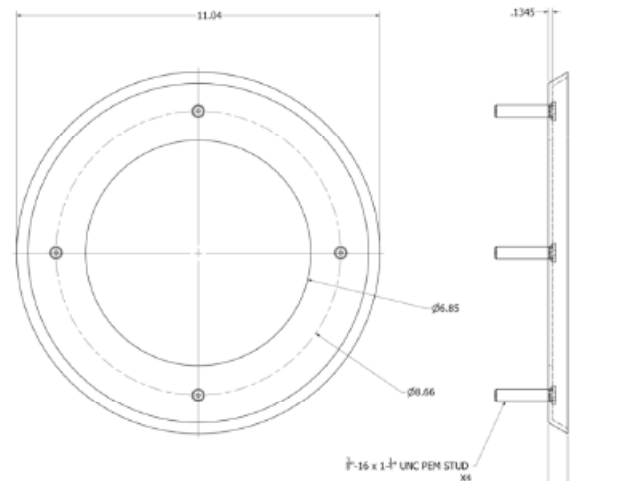


RETURN FILTER WELD FLANGE

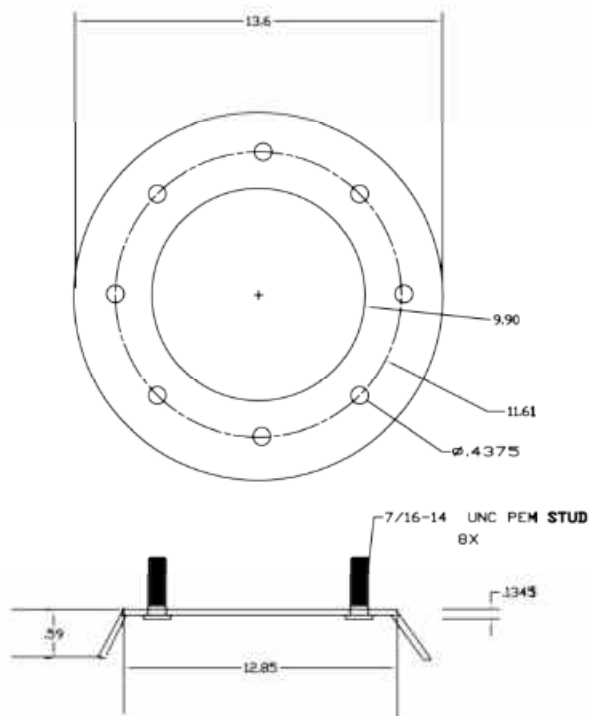
MPH 250



MPH 630



MPH 850



MPH 630 Square

